

1

2

3

4

5

6

A

A

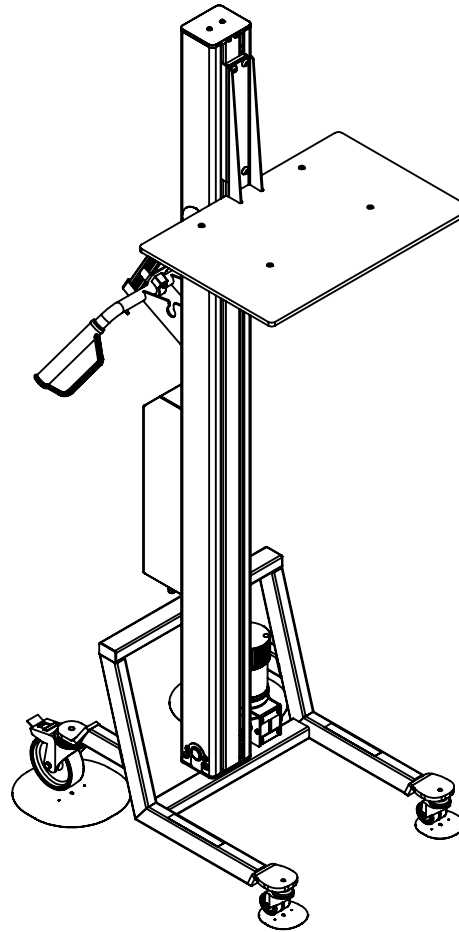
B

B

C

C

D



UNLESS OTHERWISE SPECIFIED:
 DIMENSIONS ARE IN MILLIMETERS
 SURFACE FINISH:
 TOLERANCES: ISO 2768-mK
 LINEAR:
 ANGULAR:

FINISH:

DEBUR AND
BREAK SHARP
EDGES

DO NOT SCALE DRAWING

REVISION

2Lift ApS

TITLE: B-80M-PP

	NAME	SIGNATURE	DATE		
DRAWN	MHH				
UPD'D					

MATERIAL:

DWG NO.

1029318

A4

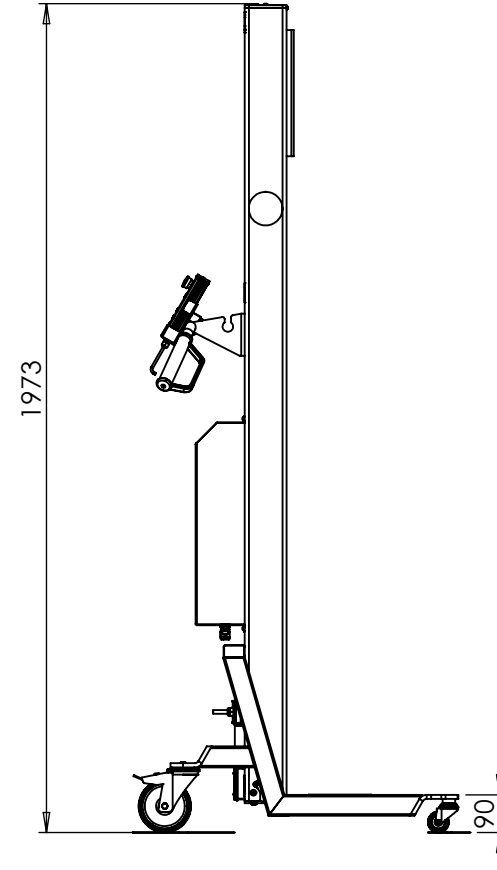
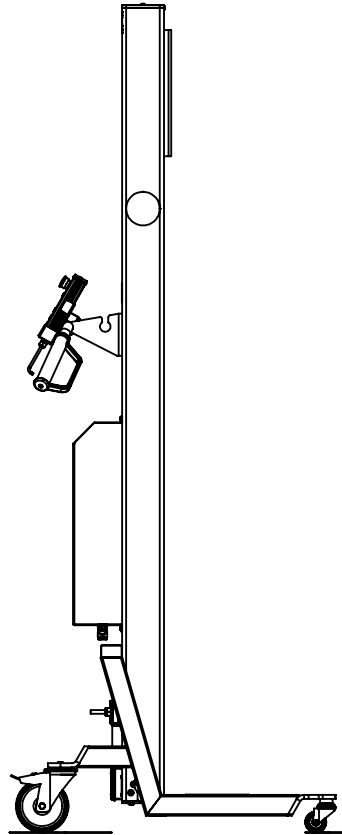
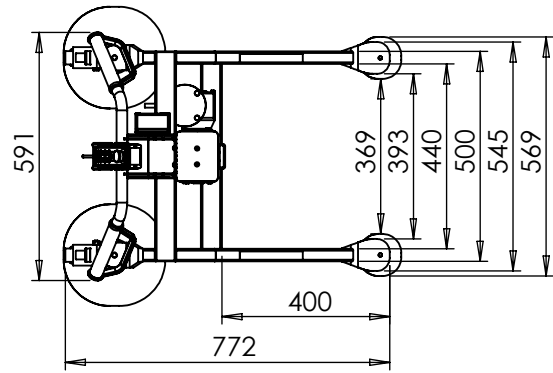
WEIGHT:

SCALE:1:50

SHEET 1 OF 5

1

2



UNLESS OTHERWISE SPECIFIED:
 DIMENSIONS ARE IN MILLIMETERS
 SURFACE FINISH:
 TOLERANCES: ISO 2768-mK
 LINEAR:
 ANGULAR:

FINISH:

DEBUR AND
 BREAK SHARP
 EDGES

DO NOT SCALE DRAWING

REVISION

2Lift ApS

TITLE: B-80M-PP

	NAME	SIGNATURE	DATE
DRAWN	MHH		
UPD'D			

MATERIAL:

DWG NO.

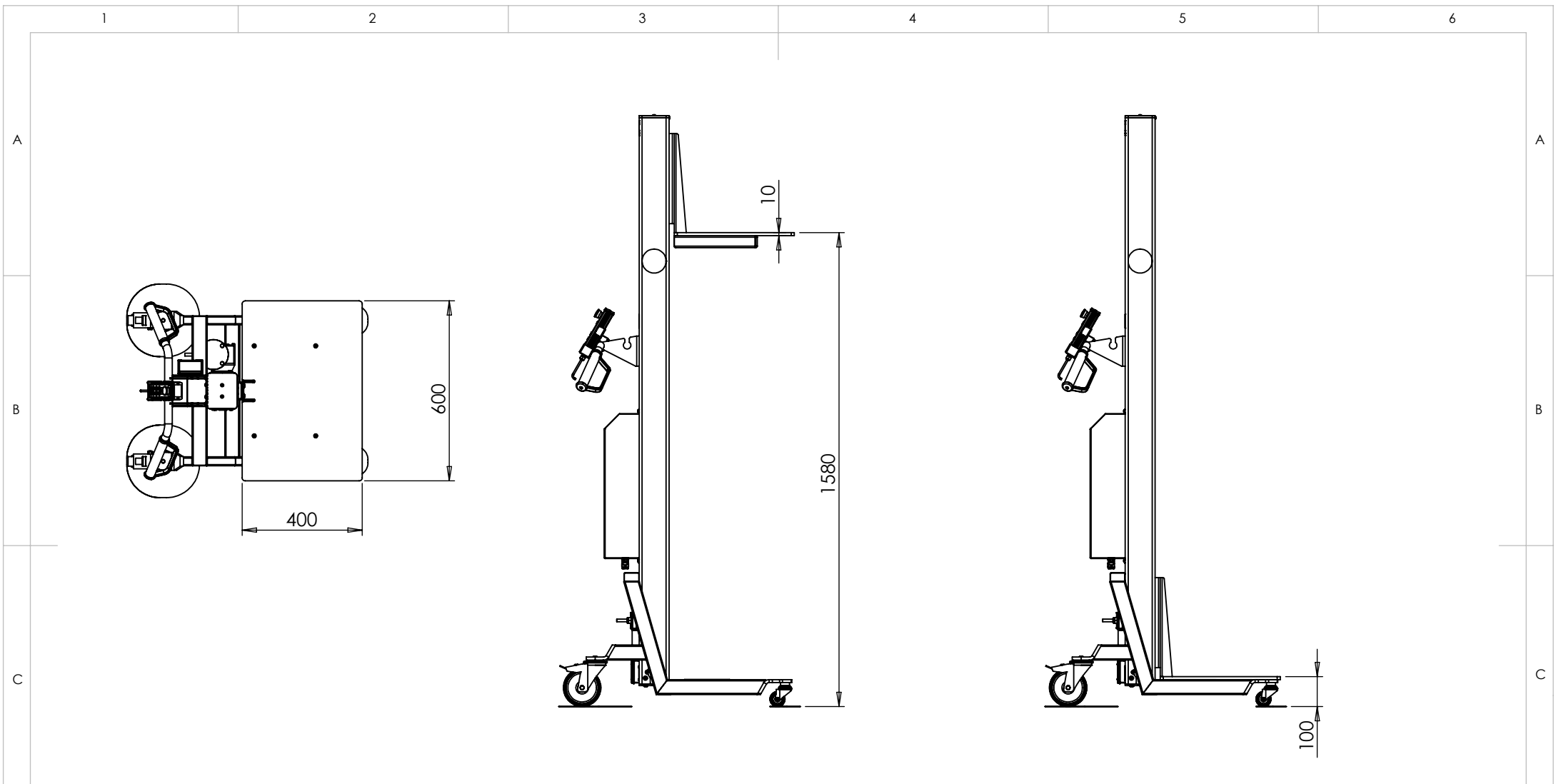
1029318

A4

WEIGHT:

SCALE:1:18

SHEET 2 OF 5



UNLESS OTHERWISE SPECIFIED: DIMENSIONS ARE IN MILLIMETERS SURFACE FINISH: TOLERANCES: ISO 2768-mK LINEAR: ANGULAR:			FINISH:		DEBUR AND BREAK SHARP EDGES		DO NOT SCALE DRAWING		REVISION		
							2Lift ApS				
							TITLE: B-80M-PP				
							DWG NO. 1029318				A4
							WEIGHT:		SCALE:1:18		SHEET 3 OF 5

	NAME	SIGNATURE	DATE			
DRAWN	MHH					
UPD'D						