

1

2

3

4

5

6

A

A

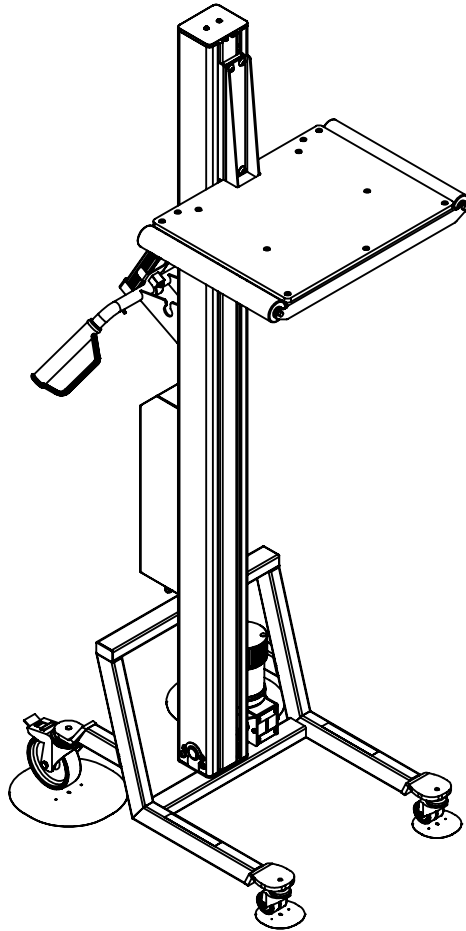
B

B

C

C

D



UNLESS OTHERWISE SPECIFIED:
 DIMENSIONS ARE IN MILLIMETERS
 SURFACE FINISH:
 TOLERANCES: ISO 2768-mK
 LINEAR:
 ANGULAR:

FINISH:

DEBUR AND
BREAK SHARP
EDGES

DO NOT SCALE DRAWING

REVISION

2Lift ApS

TITLE: B-80M-PPR

	NAME	SIGNATURE	DATE		
DRAWN	MHH				
UPD'D					

MATERIAL:

DWG NO.

1029369

A4

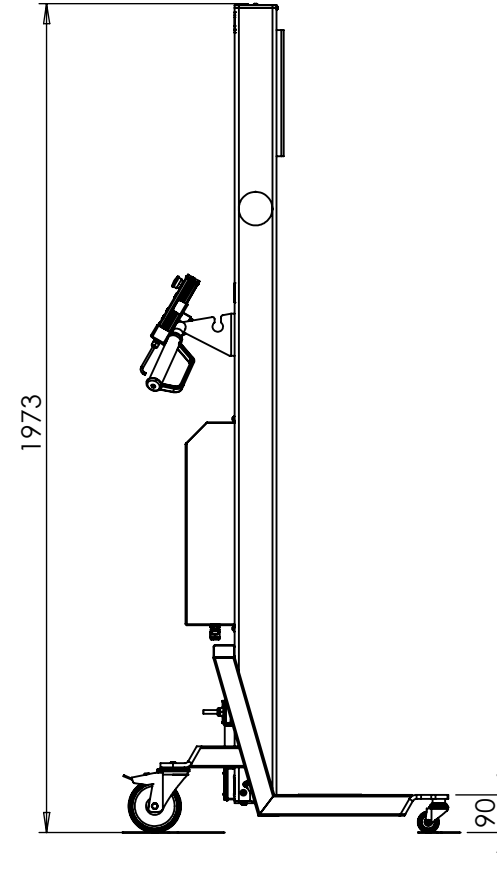
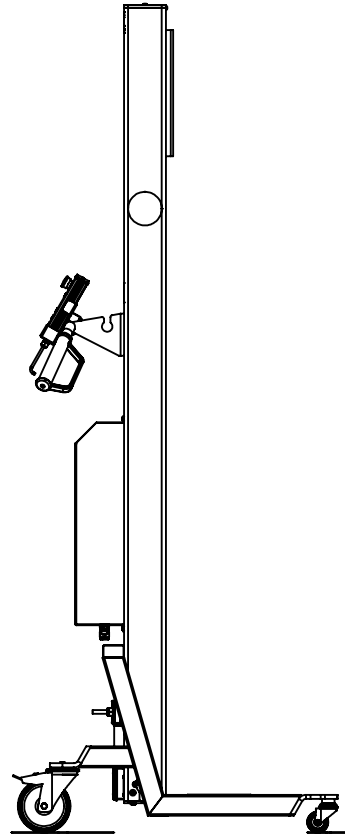
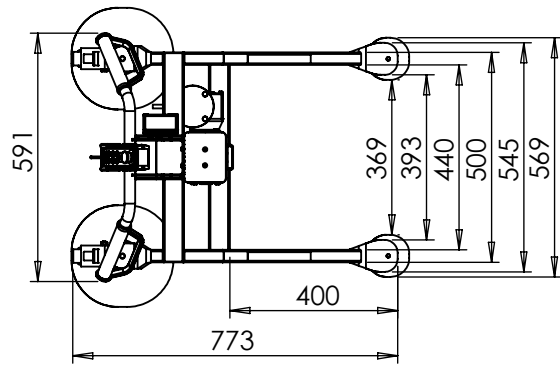
WEIGHT:

SCALE:1:50

SHEET 1 OF 5

1

2



UNLESS OTHERWISE SPECIFIED:
 DIMENSIONS ARE IN MILLIMETERS
 SURFACE FINISH:
 TOLERANCES: ISO 2768-mK
 LINEAR:
 ANGULAR:

FINISH:

DEBUR AND
 BREAK SHARP
 EDGES

DO NOT SCALE DRAWING

REVISION

2Lift ApS

TITLE: B-80M-PPR

	NAME	SIGNATURE	DATE	
DRAWN	MHH			
UPD'D				

MATERIAL:

DWG NO.

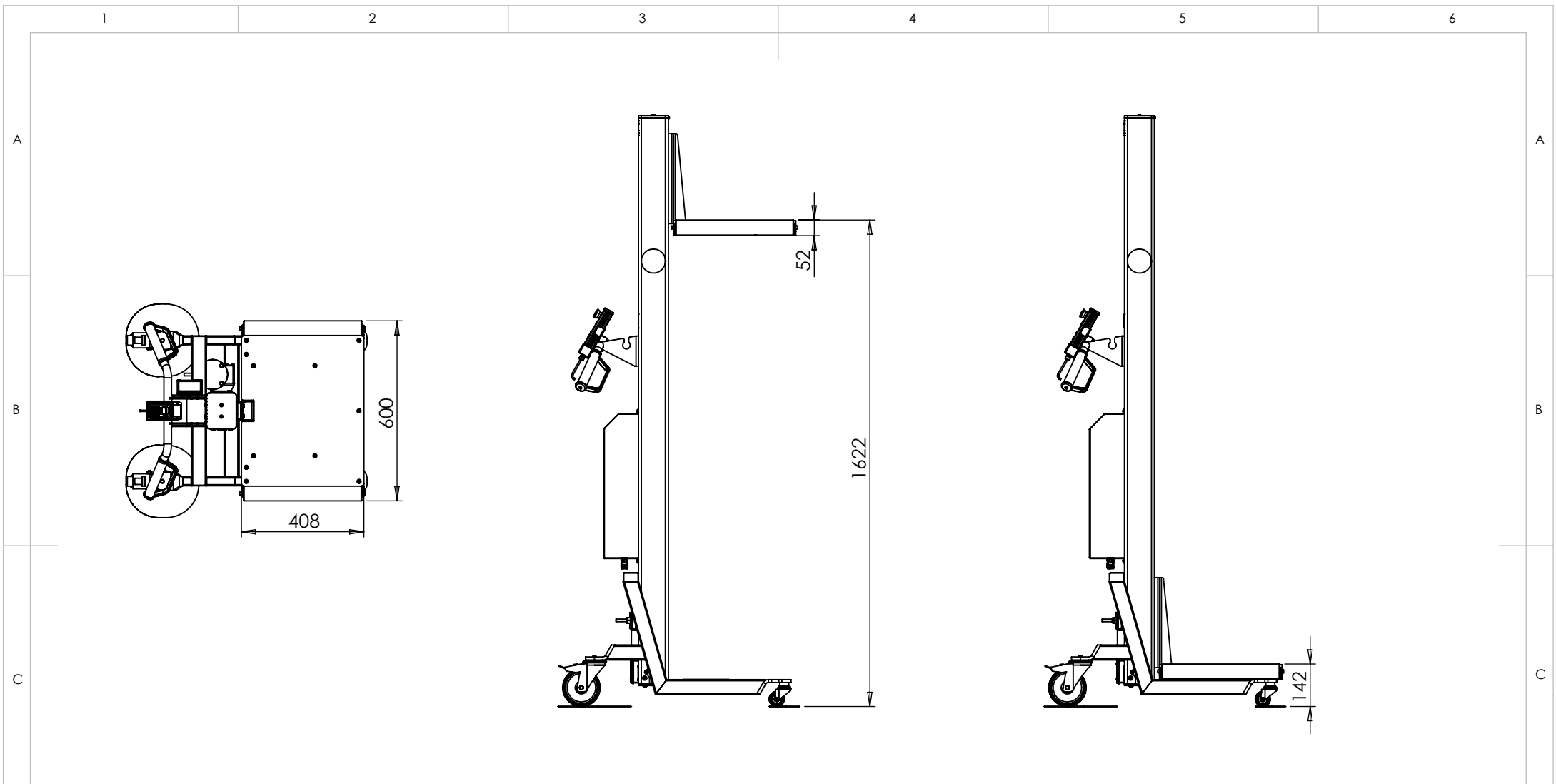
1029369

A4

WEIGHT:

SCALE:1:18

SHEET 2 OF 5



UNLESS OTHERWISE SPECIFIED: DIMENSIONS ARE IN MILLIMETERS SURFACE FINISH: TOLERANCES: ISO 2768-mK LINEAR: ANGULAR:			FINISH:		DEBUR AND BREAK SHARP EDGES		DO NOT SCALE DRAWING		REVISION		
							2Lift ApS				
							TITLE: B-80M-PPR				
DRAWN			NAME		SIGNATURE		DATE				
UPD'D			MHH								
							MATERIAL:		DWG NO.		1029369
									SCALE:1:18	SHEET 3 OF 5	
							WEIGHT:				A4