

1

2

3

4

5

6

A

A

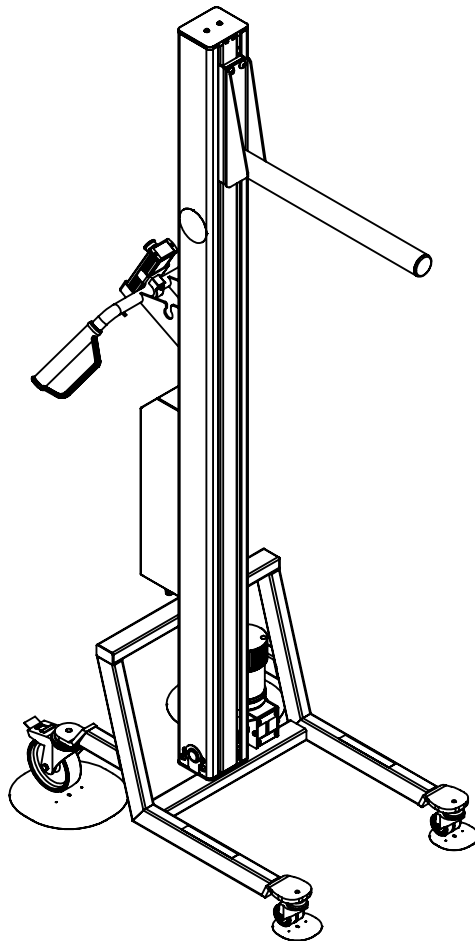
B

B

C

C

D



UNLESS OTHERWISE SPECIFIED:
 DIMENSIONS ARE IN MILLIMETERS
 SURFACE FINISH:
 TOLERANCES: ISO 2768-mK
 LINEAR:
 ANGULAR:

FINISH:

DEBUR AND
BREAK SHARP
EDGES

DO NOT SCALE DRAWING

REVISION

2Lift ApS

TITLE: B-80M-M

	NAME	SIGNATURE	DATE		
DRAWN	MHH				
UPD'D					

MATERIAL:

DWG NO.

1029385

A4

WEIGHT:

SCALE:1:50

SHEET 1 OF 4

1

2

1 2 3 4 5 6

A

A

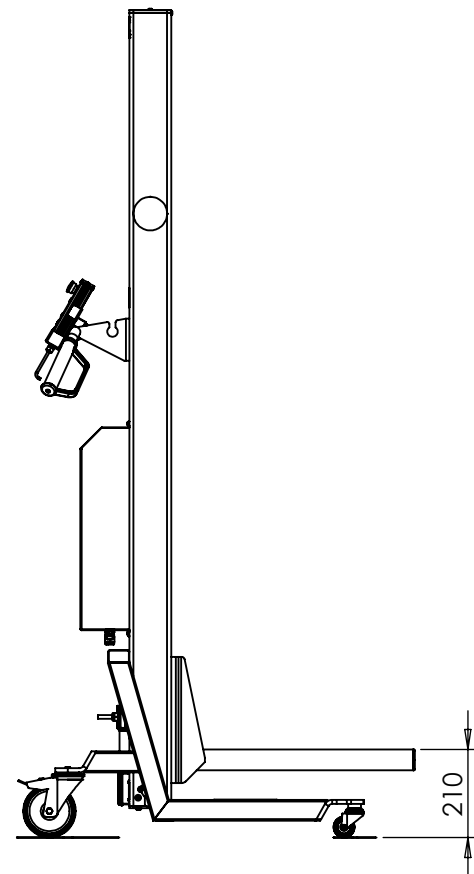
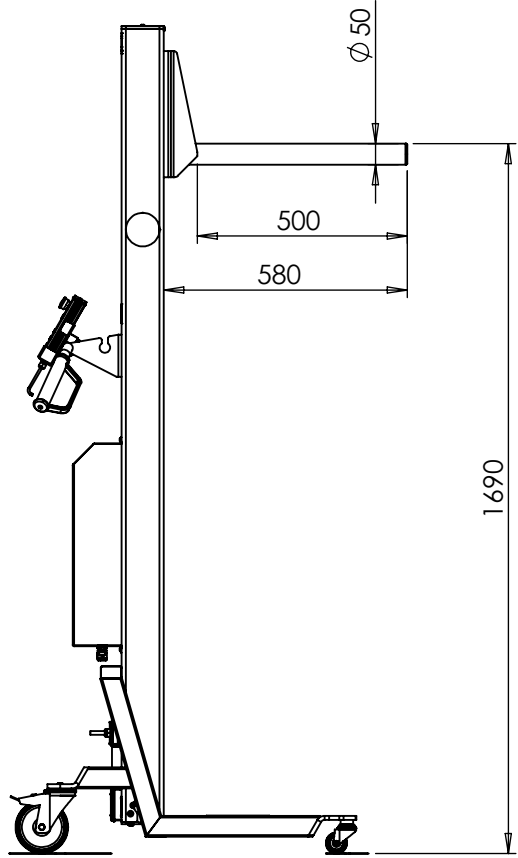
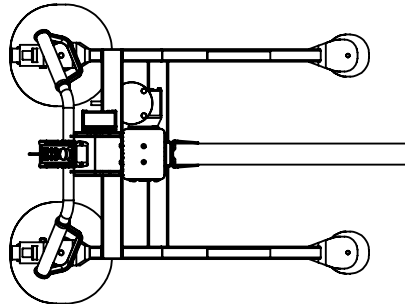
B

B

C

C

D



UNLESS OTHERWISE SPECIFIED:
 DIMENSIONS ARE IN MILLIMETERS
 SURFACE FINISH:
 TOLERANCES: ISO 2768-mK
 LINEAR:
 ANGULAR:

FINISH:

DEBUR AND
 BREAK SHARP
 EDGES

DO NOT SCALE DRAWING

REVISION

2Lift ApS

	NAME	SIGNATURE	DATE		
DRAWN	MHH				
UPD'D					

TITLE: B-80M-M

MATERIAL:

DWG NO.

1029385

A4

WEIGHT:

SCALE:1:18

SHEET 3 OF 4

1 2