

1

2

3

4

5

6

A

A

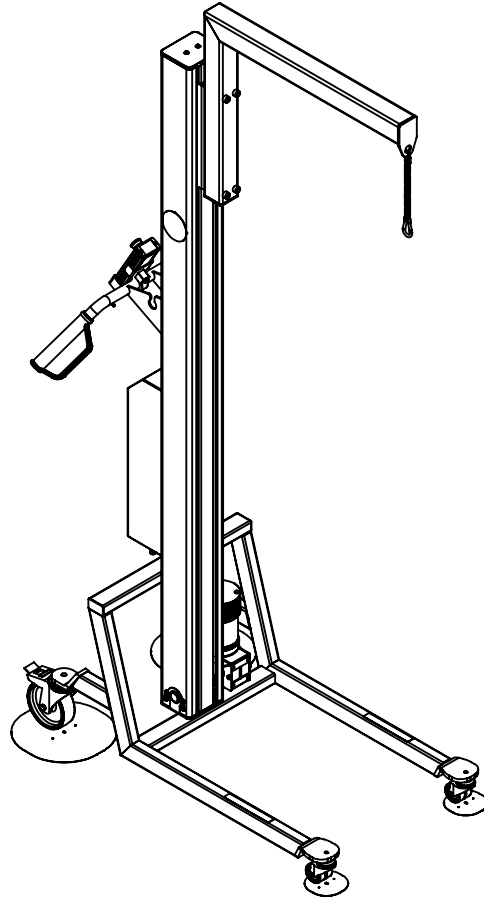
B

B

C

C

D



UNLESS OTHERWISE SPECIFIED:  
 DIMENSIONS ARE IN MILLIMETERS  
 SURFACE FINISH:  
 TOLERANCES: ISO 2768-mK  
 LINEAR:  
 ANGULAR:

FINISH:

DEBUR AND  
BREAK SHARP  
EDGES

DO NOT SCALE DRAWING

REVISION

# 2Lift ApS

TITLE: B-80M-CA

	NAME	SIGNATURE	DATE		
DRAWN	JEL				
UPD'D					

MATERIAL:

DWG NO.

# 1029418

A4

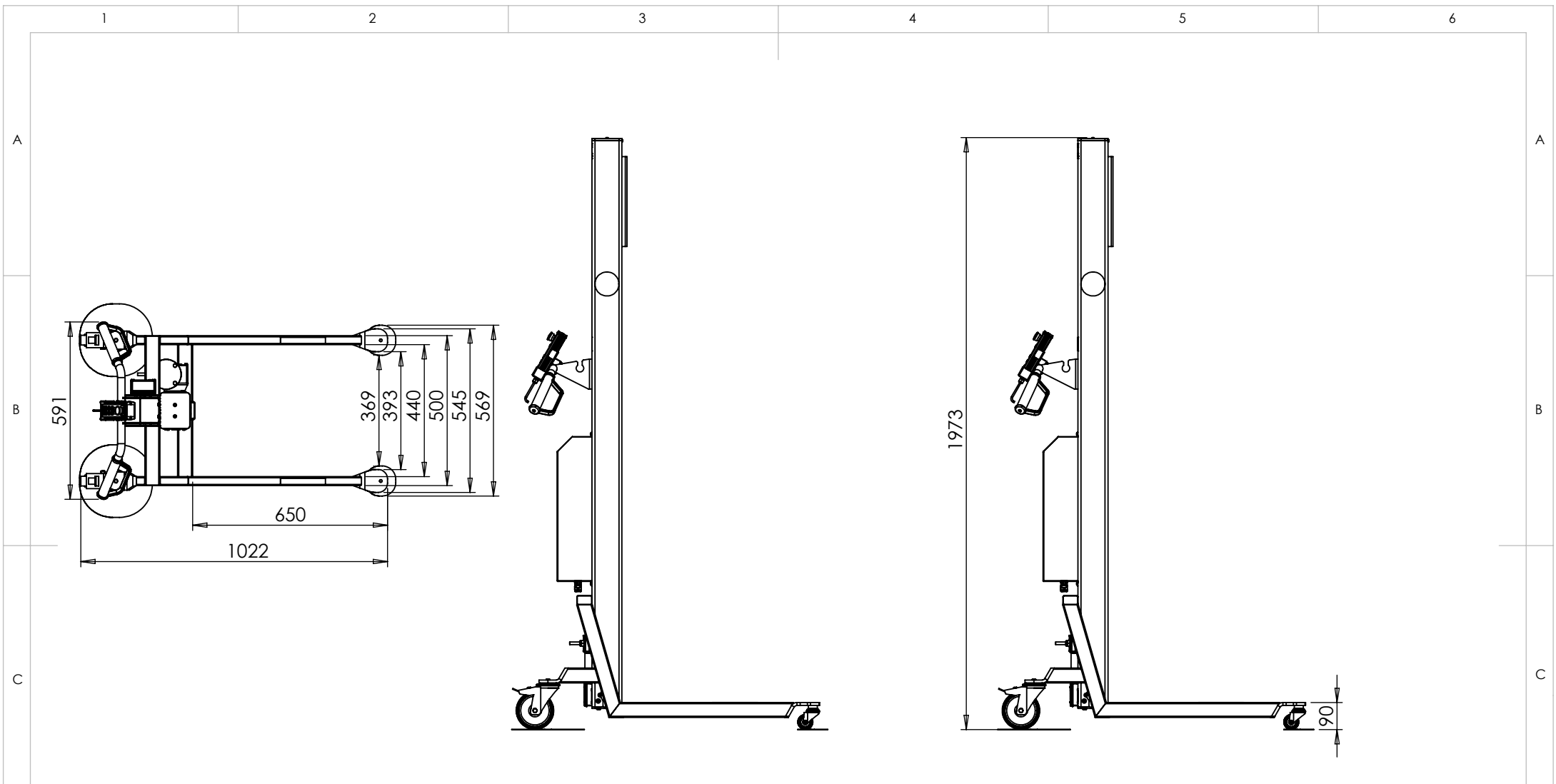
WEIGHT:

SCALE:1:50

SHEET 1 OF 5

1

2



UNLESS OTHERWISE SPECIFIED: DIMENSIONS ARE IN MILLIMETERS SURFACE FINISH: TOLERANCES: ISO 2768-mK LINEAR: ANGULAR:			FINISH:		DEBUR AND BREAK SHARP EDGES		DO NOT SCALE DRAWING		REVISION			
							<h1>2Lift ApS</h1>					
							TITLE: B-80M-CA					
							MATERIAL:		DWG NO. <h1>1029418</h1>			A4
							WEIGHT:		SCALE:1:18		SHEET 2 OF 5	

A  
B  
C  
D

1 2 3 4 5 6

1 2

