

1

2

3

4

5

6

A

A

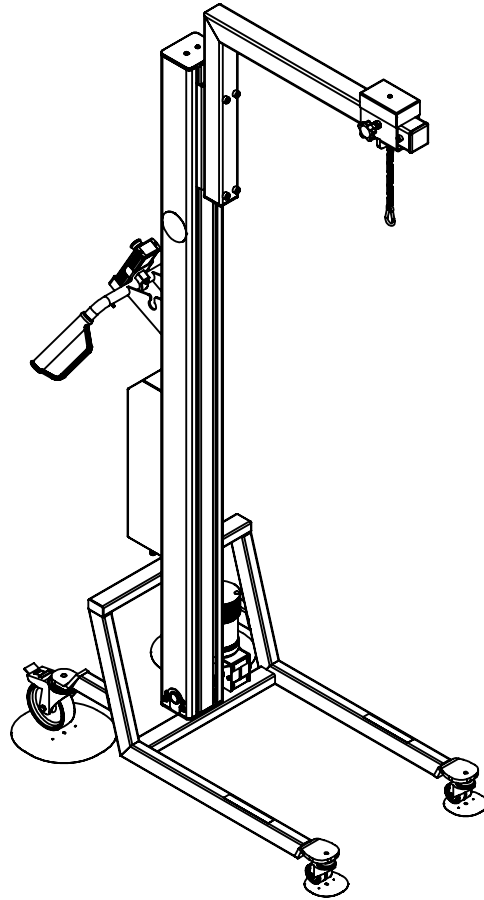
B

B

C

C

D



UNLESS OTHERWISE SPECIFIED:  
 DIMENSIONS ARE IN MILLIMETERS  
 SURFACE FINISH:  
 TOLERANCES: ISO 2768-mK  
 LINEAR:  
 ANGULAR:

FINISH:

DEBUR AND  
BREAK SHARP  
EDGES

DO NOT SCALE DRAWING

REVISION

# 2Lift ApS

TITLE: B-80M-RCA

	NAME	SIGNATURE	DATE		
DRAWN	JEL				
UPD'D					

MATERIAL:

DWG NO.

# 1029577

A4

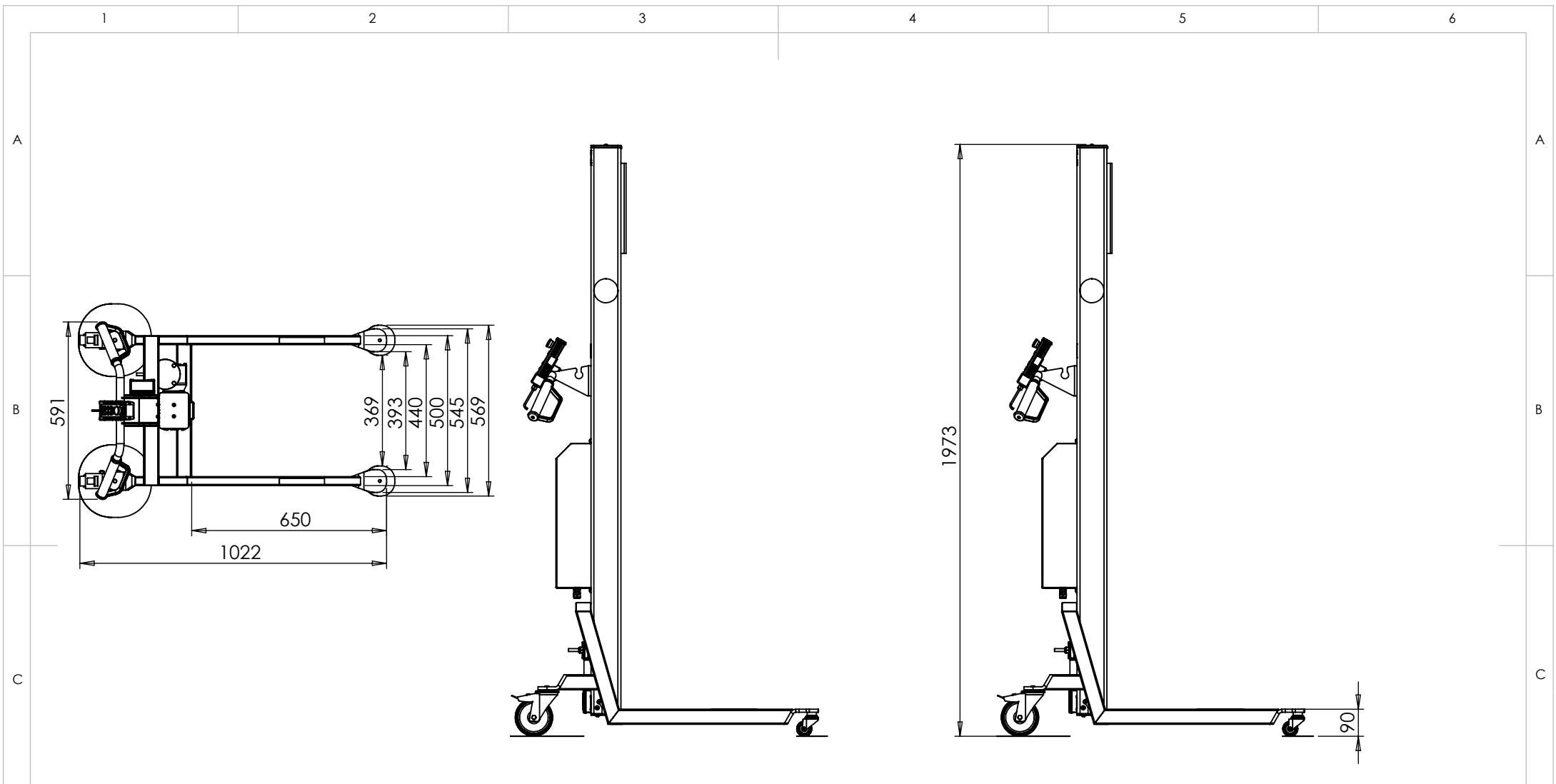
WEIGHT:

SCALE:1:50

SHEET 1 OF 6

1

2



UNLESS OTHERWISE SPECIFIED: DIMENSIONS ARE IN MILLIMETERS SURFACE FINISH: TOLERANCES: ISO 2768-mK LINEAR: ANGULAR:		FINISH:		DEBUR AND BREAK SHARP EDGES		DO NOT SCALE DRAWING		REVISION		
						<b>2Lift ApS</b>				
						TITLE: B-80M-RCA				
						MATERIAL:		DWG NO. <b>1029577</b>		A4
						WEIGHT:		SCALE:1:18		SHEET 2 OF 6

		NAME		SIGNATURE		DATE			
DRAWN		JEL							
UPD'D									



